



Network

Dome

# QND-6011

2M H.265 Dome Camera(Q mini)



## Key Features

- Max. 2Megapixel (1920 x 1080) resolution
- 2.8mm fixed lens
- 0.03Lux (Color), WDR (120dB)
- Max. 30fps@2MP (H.265 / H.264)
- H.265, H.264, MJPEG codec support, Multiple streaming
- Tampering, Motion detection, Defocus detection
- Micro SD / SDHC / SDXC memory slot (Max. 128GB)
- Hallway view, WiseStream II support
- LDC, PoE

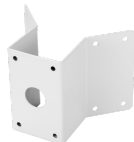
## Compatible Accessories (Optional)



SBP-300LMW



SBP-300MMW1



SBP-300KMW



SBP-300BW



SPG-IND16B



SBP-300PMW



SBP-300MMW



SBP-300NBW



SBP-300CMW

# QND-6011

2M H.265 Dome Camera(Q mini)



## Specifications

Video	
Imaging Device	1/2.8" CMOS
Resolution	1920x1080, 1280x960, 1280x720, 800x600, 800x448, 720x576, 720x480, 640x480, 640x360
Max. Framerate	H.265/H.264: Max. 30fps/25fps(60Hz/50Hz) MJPEG: Max. 15fps (@2MP Max. 4fps)
Min. Illumination	Color: 0.03Lux(F2.0, 1/30sec)
Lens	
Focal Length (Zoom Ratio)	2.8mm fixed focal
Max. Aperture Ratio	F2.0
Angular Field of View	H: 114° / V: 62° / D: 135°
Focus Control	Fixed
Pan / Tilt / Rotate	
Pan / Tilt / Rotate Range	0--350- / 0--69- / 0--355-
Operational	
Camera Title	Displayed up to 85 characters
Day & Night	Auto(Electrical)
Backlight Compensation	BLC, WDR, SDR
Wide Dynamic Range	120dB
Digital Noise Reduction	SSNR
Motion Detection	4ea, polygonal zones
Privacy Masking	6ea, rectangular zones
Gain Control	Low / Middle / High
White Balance	ATW / AWC / Manual / Indoor / Outdoor
LDC	Support
Electronic Shutter Speed	Minimum / Maximum / Anti flicker (1/5~1/12,000sec)
Video Rotation	Flip, Mirror, Hallway view(90-/270-)
Analytics	Defocus detection, Motion detection, Tampering
Business Intelligence	People counting
Alarm Triggers	Analytics, Network disconnect
Alarm Events	File upload via FTP and e-mail Notification via e-mail SD/SDHC/SDXC or NAS recording at event triggers Handover(PTZ preset)
Network	
Ethernet	RJ-45(10/100BASE-T)
Video Compression	H.265/H.264: Main/High, MJPEG

Design and specifications are subject to change without notice. The latest product information / specification can be found at [HanwhaVision.com](http://HanwhaVision.com).

Hanwha Vision is formerly known as Hanwha Techwin.

## QND-6011

Smart Codec	WiseStream II
Bitrate Control	H.264/H.265: CBR or VBR MJPEG: VBR
Streaming	Unicast(6 users) / Multicast Multiple streaming(Up to 3 profiles)
Protocol	IPv4, IPv6, TCP/IP, UDP/IP, RTP(UDP), RTP(TCP), RTCP, RTSP, NTP, HTTP, HTTPS, SSL/TLS, DHCP, FTP, SMTP, ICMP, IGMP, SNMPv1/v2c/v3(MIB-2), ARP, DNS, DDNS, QoS, UPnP, Bonjour, LLDP
Application Programming Interface	ONVIF Profile S/G/T SUNAPI(HTTP API) Wisenet open platform

### Security

OS / Firmware Protect	Firmware encryption
User authentication	Digest Authentication, Prevent brute-force attack
Network authentication	802.1X Authentication(EAP-TLS, EAP-LEAP, EAP-PEAP MSCHAPv2)
Secure Communication	HTTPS, SRTP, WSS(Websocket secure)
Access Control	Access control based on IP address
Data Protect	Authentication information encryption, ZIP compression encryption
Audit	User Access/System/Event log management
Device ID	Device Certificate(Hanwha Private Root CA)
Secure Storage	SDcard partition encrypt

### General

Webpage Language	English, Korean, Chinese, French, Italian, Spanish, German, Japanese, Russian, Swedish, Portuguese, Czech, Polish, Turkish, Dutch
Edge Storage	Micro SD/SDHC/SDXC 1slot 128GB
Memory	512MB RAM, 256MB Flash

### Environmental & Electrical

Operating Temperature / Humidity	-10°C~+55°C(+14°F ~ +131°F) / 0~90% RH
Storage Temperature / Humidity	-30°C~+60°C(-22°F ~ +140°F) / 0~90% RH
Certification	IP42, IK08
Input Voltage	PoE(IEEE802.3af, Class2)
Power Consumption	PoE: Max 4.80W, typical 2.80W

### Mechanical

Color / Material	White / Plastic
RAL Code	RAL9003
Product Dimensions / Weight	ø99.0x56.0mm(ø3.9x2.2"), 145g(0.32 lb)

### DORI (EN62676-4 standard)

Detect (25PPM/ 8PPF)	25.1m(82.21ft)
Observe (63PPM/ 19PPF)	10.0m(32.89ft)
Recognize (125PPM/ 38PPF)	5.0m(16.44ft)
Identify (250PPM/ 76PPF)	2.5m(8.22ft)

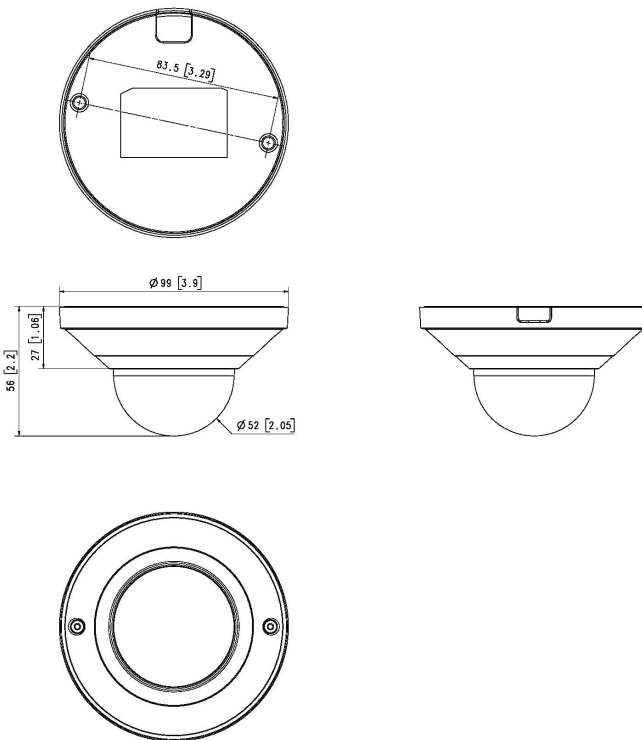
# QND-6011

2M H.265 Dome Camera(Q mini)



CAD

Unit:mm [inch]



milimeter (inch)