



Network Bullet

XNO-C7083R

4MP AI IR Bullet Camera



Key Features

- 4MP resolution
- 2.8~10mm (3.6x) motorized varifocal
- Color: 0.038Lux (F1.4, 1/30sec, 30IRE), 0Lux (IR LED on)
- Maximum 60fps@4MP (H.265/H.264)
- WiseIR: IR viewable length 40m (131.23ft)
- Day & Night (ICR), extremeWDR (120dB)
- WiseNR II (Based on AI engine), WiseStreamIII (Based on AI engine)
- Analytics events based on AI engine (NPU) : Object detection (Person/Face/Vehicle - car, truck, bus, bicycle, motorcycle/License plate), IVA (Virtual line/Area, Enter/Exit, Loitering, Direction, Intrusion)
- Analytics events : Defocus detection, Motion detection, Tampering, Fog detection
Audio detection, Sound classification, Shock detection, Appear/Disappear
- IP66, IP67, NEMA4X, IK10

Compatible Accessories (Optional)



XNO-C7083R

4MP AI IR Bullet Camera



Specifications

| | |
|-----------------------------|--|
| Video | |
| Imaging Device | 1/2.8" CMOS |
| Resolution | 2592x1520, 2560x1440, 1920x1080, 1280x1024, 1280x960, 1280x720, 1024x768, 800x600, 800x448, 720x576, 720x480, 640x480, 640x360, 320x240 |
| Max. Framerate | H.265/H.264: Max. 60fps/50fps(60Hz/50Hz)(WDR off) Max. 30fps/25fps(60Hz/50Hz)(WDR on) MJPEG: Max. 30fps(@4MP Max. 5fps) |
| Min. Illumination | Color: 0.038Lux(F1.4, 1/30sec, 30IRE) BW: 0.0038Lux(F1.4, 1/30sec, 30IRE), 0Lux(IR LED on), 30/25fps Color: 0.076Lux(F1.4, 1/60sec, 30IRE) BW: 0.0076Lux(F1.4, 1/60sec, 30IRE), 0Lux(IR LED on), 60/50fps |
| Video Out | USB: Micro USB Type B, 1280x720 for installation |
| Lens | |
| Focal Length (Zoom Ratio) | 2.8~10mm(3.6x) motorized varifocal |
| Max. Aperture Ratio | F1.4(Wide)~F3.0(Tele) |
| Angular Field of View | H: 110°(Wide)~30°(Tele) V: 61°(Wide)~17°(Tele) D: 132°(Wide)~35°(Tele) |
| Min. Object Distance | 0.5m(1.64ft) |
| Focus Control | Simple focus, Manual |
| Lens Type | DC auto iris with hall sensor(IR corrected) |
| Pan / Tilt / Rotate | |
| Pan / Tilt / Rotate Range | 0°~360° / 0°~90° / 0°~360° |
| Operational | |
| Camera Title | Displayed up to 85 characters |
| Day & Night | Auto(ICR) |
| Backlight Compensation | BLC, HLC, WDR, SDR |
| Wide Dynamic Range | extremeWDR(120dB) |
| Digital Noise Reduction | WiseNR II (Based on AI engine), SSNR V |
| Digital Image Stabilization | Support(built-in gyro sensor) |
| Defog | Support |
| Motion Detection | 8ea, 8point Polygonal zones |
| Privacy Masking | 32ea, 4point Quadrangle zones - Color: Gray/Green/Red/Blue/Black/White - Mosaic |
| Gain Control | Off / Max Gain / Manual |
| White Balance | ATW / NarrowATW / AWC / Manual / Indoor / Outdoor |
| LDC | Support(Fill/stretch mode) |

Design and specifications are subject to change without notice. The latest product information / specification can be found at HanwhaVision.com.

Hanwha Vision is formerly known as Hanwha Techwin.

| | |
|--------------------------|---|
| Electronic Shutter Speed | Minimum / Maximum / Anti flicker(2~1/12,000sec) prefer shutter control(Based on AI engine) |
| Video Rotation | Flip, Mirror, Hallway view(90°/270°) |
| Analytics | Classified object type: Person/Face/Vehicle(Type: car/bus/truck/motorcycle/bicycle)/License plate Attributes: Vehicle(Type: car/bus/truck/motorcycle/bicycle) Support DetectionShot Analytics events based on AI engine - Object detection, Virtual line(Crossing/Direction), Virtual area(Loitering/Intrusion/Enter/Exit), Motion detection Analytics events - Defocus detection, Tampering, Fog detection, Audio detection, Sound classification, Shock detection, Virtual area(Appear/Disappear) |
| Business Intelligence | Based on AI engine: People/Vehicle counting, Queue management, Heatmap |
| Alarm I/O | 2 configurable I/O ports |
| Alarm Triggers | Analytics, Network disconnect, Alarm input, App event, Time schedule, MQTT subscription |
| Alarm Events | When alarm trigger occurred - File upload(image): e-mail/FTP/SFTP - File upload(video clip): FTP/SFTP - Notification: e-mail - Recording: SD/SDHC/SDXC or NAS recording at event triggers - Alarm output - Handover: PTZ preset, send message by HTTP/HTTPS/TCP - Audio clip playback - MQTT: publication |
| Audio In | Selectable(mic in/line in) |
| Audio Out | Line out |
| IR Viewable Length | WiseIR 40m(131.23ft) |

Network

| | |
|-----------------------------------|--|
| Ethernet | Metal shielded RJ-45(10/100BASE-T) |
| Video Compression | H.265/H.264: Main/Baseline/High, MJPEG |
| Audio Compression | G.711 u-law /G.726 Selectable G.726(ADPCM) 8KHz, G.711 8KHz G.726: 16Kbps, 24Kbps, 32Kbps, 40Kbps AAC-LC: 48Kbps at 16KHz |
| Smart Codec | Manual(5ea area), WiseStreamIII(Based on AI engine) |
| Bitrate Control | H.264/H.265: CBR or VBR MJPEG: VBR |
| Streaming | Unicast(20 users) / Multicast Multiple streaming(Up to 10 profiles, 3 virtual channel support) |
| Protocol | IPv4, IPv6, TCP/IP, UDP/IP, RTP(UDP), RTP(TCP), RTCP, RTSP, NTP, HTTP, HTTPS, SSL/TLS, DHCP, FTP/SFTP, SMTP, ICMP, IGMP, SNMPv1/v2c/v3(MIB-2), ARP, DNS, DDNS, QoS, UPnP, Bonjour, LLDP, CDP, SRTP(TCP, UDP Unicast), MQTT |
| Application Programming Interface | ONVIF Profile S/G/T/M SUNAPI(HTTP API) Wisenet open platform |

Security

| | |
|------------------------|---|
| OS / Firmware Protect | Encrypted Firmware, Secure boot, Signed Firmware |
| User authentication | Digest Authenticon, Prevent brute-force attacks |
| Network authentication | IEEE 802.1X(EAP-TLS, EAP-LEAP, EAP-PEAP, MSCHAPv2) |
| Secure Communication | HTTPS, WSS(WebSocket Secure), SRTP |
| Access Control | IP-based access control |
| Data Protect | Encryption Credentials, Encrypt compress for live recording file export |
| Audit | Access / System / Event Log management |
| Device ID | Device certificate(Hanwha Vision Root CA) |
| Secure Storage | HTPM(Hanwha trusted platform module), SDcard partition encrypt |
| Security Certificate | CyberSecurity assurance program UL CAP(UL 2900-2-3 L2) |

Design and specifications are subject to change without notice. The latest product information / specification can be found at HanwhaVision.com.

Hanwha Vision is formerly known as Hanwha Techwin.

| General | |
|-----------------------------------|--|
| Webpage Language | English, Korean, Chinese, French, Italian, Spanish, German, Japanese, Russian, Portuguese, Czech, Polish, Turkish, Dutch, Hungarian, Greek |
| Edge Storage | Micro SD/SDHC/SDXC 1slot Max. 512GB |
| Memory | 2GB RAM, 512MB Flash |
| Environmental & Electrical | |
| Operating Temperature / Humidity | -40°C~+55°C(-40°F~+131°F) * Start up should be done at above -20°C 0~100%RH(condensing) Humidity control with AIR vent |
| Storage Temperature / Humidity | -50°C~+60°C(-58°F~+140°F) / 0~90% RH |
| Certification | IP66/IP67, NEMA4X, IK10 |
| Input Voltage | PoE(IEEE802.3af, Class3), 12VDC |
| Power Consumption | PoE: Max 12.95W, typical 10.8W 12VDC: Max 12.5W, typical 10.0W |
| Mechanical | |
| Color / Material | White / Aluminum Window: Hard-coated window |
| RAL Code | RAL9003 |
| Product Dimensions / Weight | ø93.4x276.6mm(ø3.68x10.89"), 1640g(3.62 lb) |
| Compatible Conduit hole / Gangbox | single, double, 4" octagon, 4" square |
| Hanging Mount (Dome) | SBP-160HMMW1 |
| Backbox | Included |
| Ceiling Mount (Assy) | SBP-150CMI/300CMI, SBP-300CMW1/900CMW, SBP-300CMTW, SBP-300CMTS |
| Wall Mount | SBP-300WMW/WMW1, SBP-390WMW2, SBP-160WMW1 |
| Pole Mount | SBD-180PMW, SBP-300PMW2 |
| Parapet Mount | SBP-300LMW, SBP-156LMW1 |
| Corner Mount | SBP-300KMW1 |
| Cabinet | SBP-300NBW |
| Conduit Adaptor | SBP-060BA |
| Certifications & Standards | |
| EMC | FCC 47 CFR 15 Subpart B Class A ICES-3(A)/NMB-3(A) CE/UKCA - EN 55032 Class A, EN 50130-4, EN 61000-3-2, EN 61000-3-3 VCCI CISPR 32 Class A RCM AS/NZS CISPR 32 Class A KS C 9832 Class A, KS C 9835 |
| Safety | UL 62368-1, CAN/CSA C22.2 NO. 62368-1 IEC/EN 62471 |
| Environment | IEC/EN 63000 IEC/EN 60529 IP66/IP67, IEC/EN 62262 IK10 NEMA 250 type 4X |
| DORI (EN62676-4 standard) | |
| Detect (25PPM/ 8PPF) | Wide: 36.3m(119.09ft) / Tele: 193.5m(634.74ft) |
| Observe (63PPM/ 19PPF) | Wide: 14.5m(47.64ft) / Tele: 77.4m(253.90ft) |
| Recognize (125PPM/ 38PPF) | Wide: 7.3m(23.82ft) / Tele: 38.7m(126.95ft) |
| Identify (250PPM/ 76PPF) | Wide: 3.6m(11.91ft) / Tele: 19.3m(63.47ft) |

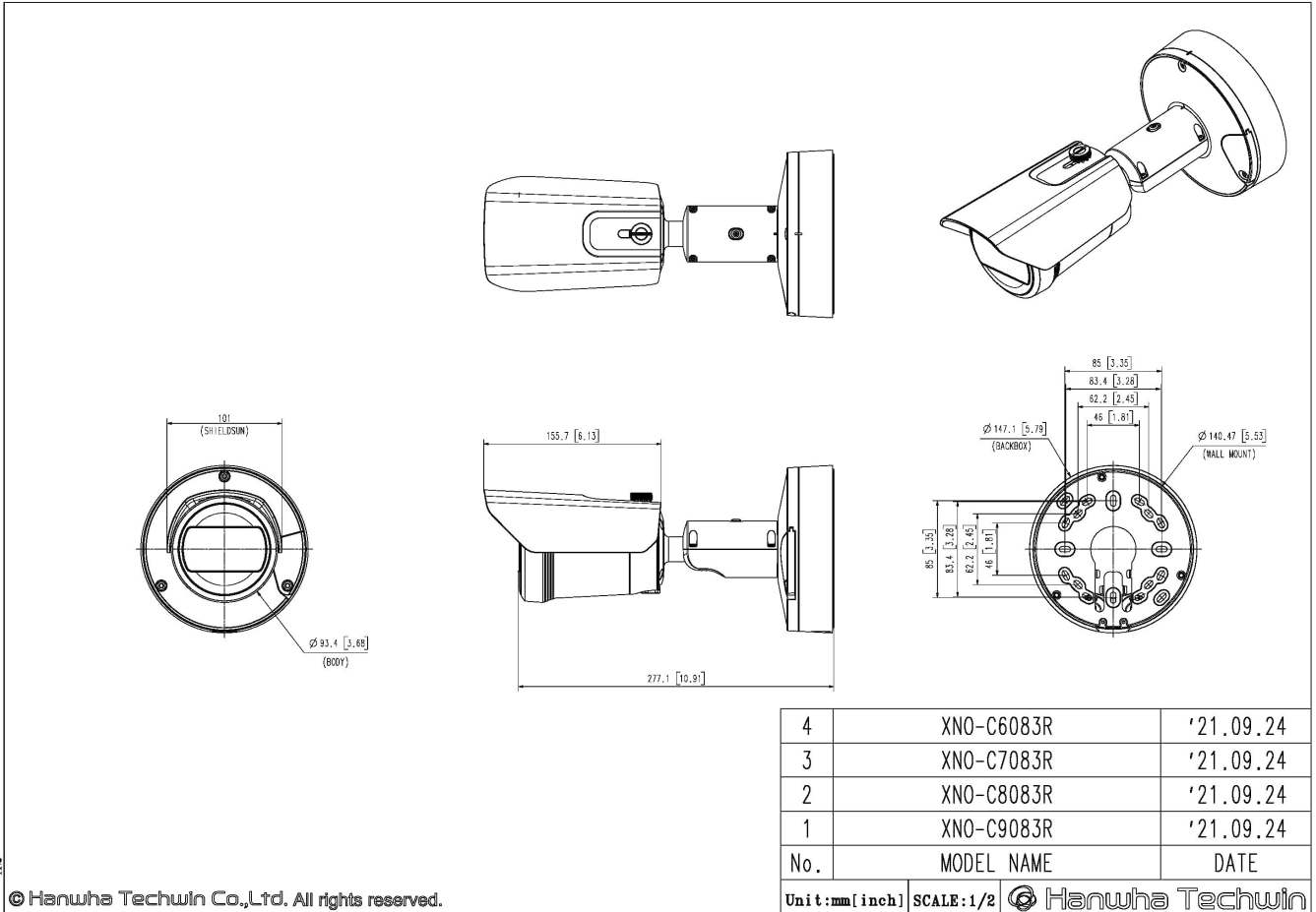
XNO-C7083R

4MP AI IR Bullet Camera



CAD

Unit:mm [inch]



© Hanwha Techwin Co.,Ltd. All rights reserved.