



Network

Dome

# XNV-6012M

2M H.265 Mobile Camera



## Key Features

- Max. 2Megapixel (1920 x 1080) resolution
- Max. 60fps@all resolutions (H.265 / H.264)
- 0.04Lux@F2.0 (Color), 0.04Lux@F2.0 (B/W)
- Built-in 2.4mm fixed lens
- H.265, H.264, MJPEG codec supported
- Multiple streaming
- Day & Night, WDR (150dB)
- SD/SDHC/SDXC memory slot (Max. 256GB)
- IP66, IK10, NEMA4X
- Hallway view, PoE, LDC, M12 connector support

# XNV-6012M

2M H.265 Mobile Camera



## Specifications

Video	
Imaging Device	1/2.8" 2MP CMOS
Resolution	1920x1080, 1280x1024, 1280x960, 1280x720, 1024x768, 800x600, 800x448, 720x576, 720x480, 640x480, 640x360, 320x240
Max. Framerate	H.265/H.264: Max.60fps/50fps(60Hz/50Hz) MJPEG: Max.30fps/25fps(60Hz/50Hz)
Min. Illumination	Color: 0.04Lux(F2.0, 1/30sec) BW: 0.04Lux(F2.0, 1/30sec)
Video Out	USB: Micro USB Type B, 1280x720 for installation
Lens	
Focal Length (Zoom Ratio)	2.4mm fixed focal
Max. Aperture Ratio	F2.0
Angular Field of View	H: 135.4° / V: 71.2° / D: 161.6°
Focus Control	Manual
Pan / Tilt / Rotate	
Pan / Tilt / Rotate Range	±5° / 0°~67° / ±90°
Operational	
Camera Title	Displayed up to 85 characters
Day & Night	Auto(Electrical)
Backlight Compensation	BLC, HLC, WDR
Wide Dynamic Range	150dB
Digital Noise Reduction	SSNRV
Digital Image Stabilization	Support(built-in gyro sensor)
Defog	Support(built-in optical filter)
Motion Detection	8ea, 8point polygonal zones
Privacy Masking	32ea, polygonal zones - Color: Grey/Green/Red/Blue/Black/White - Mosaic
Gain Control	Low / Middle / High
White Balance	ATW / AWC / Manual / Indoor / Outdoor
LDC	Support
Electronic Shutter Speed	Minimum / Maximum / Anti flicker (2~1/12,000sec)
Video Rotation	Flip, Mirror, Hallway view(90°/270°)
Analytics	Defocus detection, Directional detection, Fog detection, Face detection, Motion detection, Digital auto tracking, Appear/Disappear, Enter/Exit, Loitering, Tampering, Virtual line, Audio detection, Sound classification (w/ external MIC)
Alarm Triggers	Analytics, Network disconnect

Design and specifications are subject to change without notice. The latest product information / specification can be found at [HanwhaVision.com](http://HanwhaVision.com).

Hanwha Vision is formerly known as Hanwha Techwin.

XNV-6012M

Alarm Events	File upload via FTP and e-mail Notification via e-mail SD/SDHC/SDXC or NAS recording at event triggers
Audio In	Selectable(mic in/line in) Supply voltage: 2.5VDC(4mA), Input impedance: 2K Ohm
Audio Out	Line out, Max.output level: 1Vrms
<b>Network</b>	
Ethernet	M12
Video Compression	H.265/H.264: Main/Baseline/High, MJPEG
Audio Compression	G.711 u-law /G.726 Selectable G.726(ADPCM) 8KHz, G.711 8KHz G.726: 16Kbps, 24Kbps, 32Kbps, 40Kbps AAC-LC: 48Kbps at 16KHz
Smart Codec	Manual(5ea area), WiseStream II
Bitrate Control	H.264/H.265: CBR or VBR MJPEG: VBR
Streaming	Unicast(20 users) / Multicast Multiple streaming(Up to 10 profiles)
Protocol	IPv4, IPv6, TCP/IP, UDP/IP, RTP(UDP), RTP(TCP), RTCP, RTSP, NTP, HTTP, HTTPS, SSL/TLS, DHCP, PPPoE, FTP, SMTP, ICMP, IGMP, SNMPv1/v2c/v3(MIB-2), ARP, DNS, DDNS, QoS, PIM-SM, UPnP, Bonjour
Security	HTTPS(SSL) Login Authentication Digest Login Authentication IP Address Filtering User access Log 802.1X Authentication(EAP-TLS, EAP-LEAP)
Application Programming Interface	ONVIF Profile S/G SUNAPI(HTTP API) Wisenet open platform
<b>General</b>	
Web Viewer	Supported OS : Windows 7, 8.1, 10, Mac OS X 10.10, 10.11, 10.12 Recommended Browser: Google Chrome Supported Browser : MS Explore11, Mozilla Firefox(Window 64bit only), Apple Safari(Mac OS X only)
Edge Storage	Micro SD/SDHC/SDXC 1slot 256GB
Memory	1024MB RAM, 256MB Flash
<b>Environmental &amp; Electrical</b>	
Operating Temperature / Humidity	-30°C ~ +55°C(-22°F ~ +131°F) / Less than 90% RH
Storage Temperature / Humidity	-50°C ~ +60°C(-58°F ~ +140°F) / Less than 90% RH
Certification	IP67, IK10, NEMA4X EN55011:2009+A1:2010, EN50581:2012, EN50121-3-2:2015, EN61000-4-2:2009, EN61000-4-3:2006+A2:2010, EN61000-4-4:2012, EN61000-4-5:2014 EN61000-4-6:2009, EN50155:2007
Input Voltage	PoE(IEEE802.3af, Class3)
Power Consumption	PoE: Max 6.50W
<b>Mechanical</b>	
Color / Material	Ivory / Aluminum
Product Dimensions / Weight	98.9x52.0x100.0mm(3.89x2.05x3.94"), 295g(0.65 lb)

# XNV-6012M

2M H.265 Mobile Camera

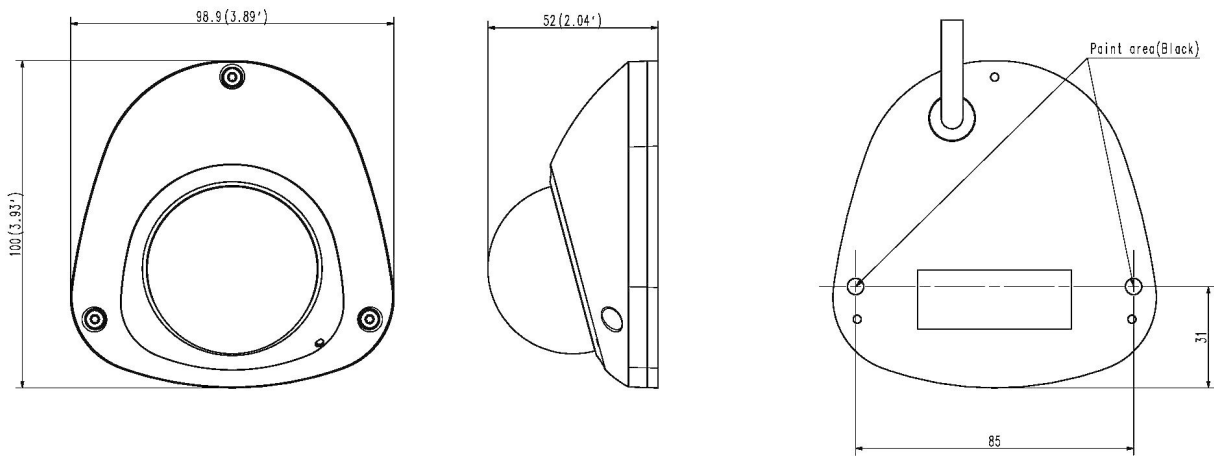


CAD

Unit:mm [inch]

This parts should not contain any substances which are specified in AH00-0033X

NO	PART NAME	CODE NO.	MATERIAL	Q'TY	REMARK
1	ASSY-XNV-6012(M)/6022R(M)	058056	MATERIAL	1	REMARK



STANDARD TOLERANCE

DIV	tol.1	tol.2	tol.3	tol.4	tol.5
0-16	±0.05	±0.1	±0.2	±0.3	±0.4
16-63	±0.05	±0.1	±0.2	±0.3	±0.4
63-250	±0.1	±0.2	±0.3	±0.4	±0.4
250-1000	±0.2	±0.3	±0.4	±0.5	±0.6

A3  
CHANGE

UNIT	mm	DESIGN	CHECK	APPROVAL	PART NAME	ASSY-XNV-6012(M)/6022R(M)
		M.Fujiwara	Check	Approval	MODEL NAME	XNV-6012(M)/6022R(M)
		18.03.19	18.03.19	18.03.19	CODE NO.	058056
SCALE	1/1					